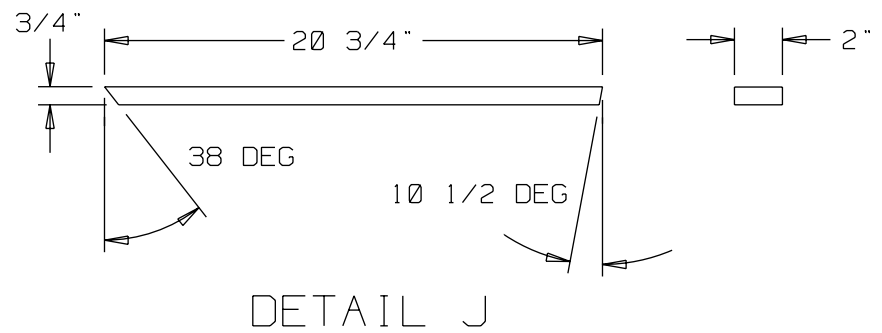
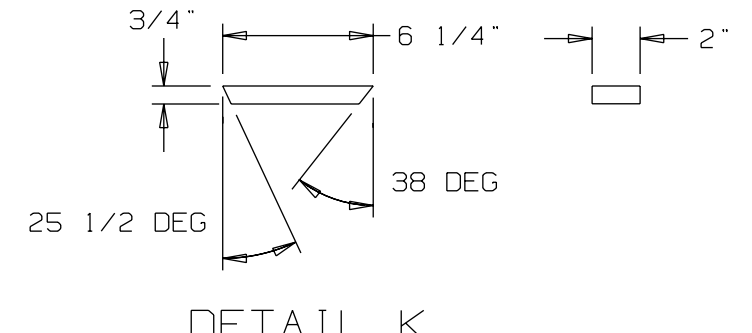


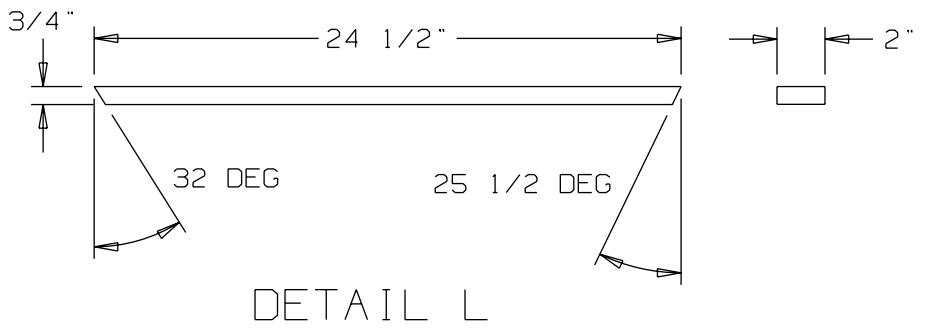
DETAIL H



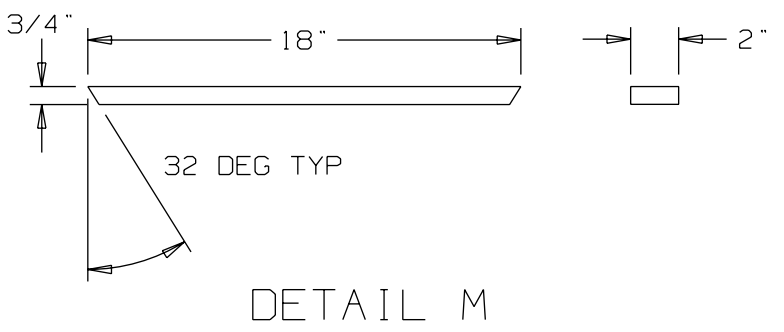
DETAIL J



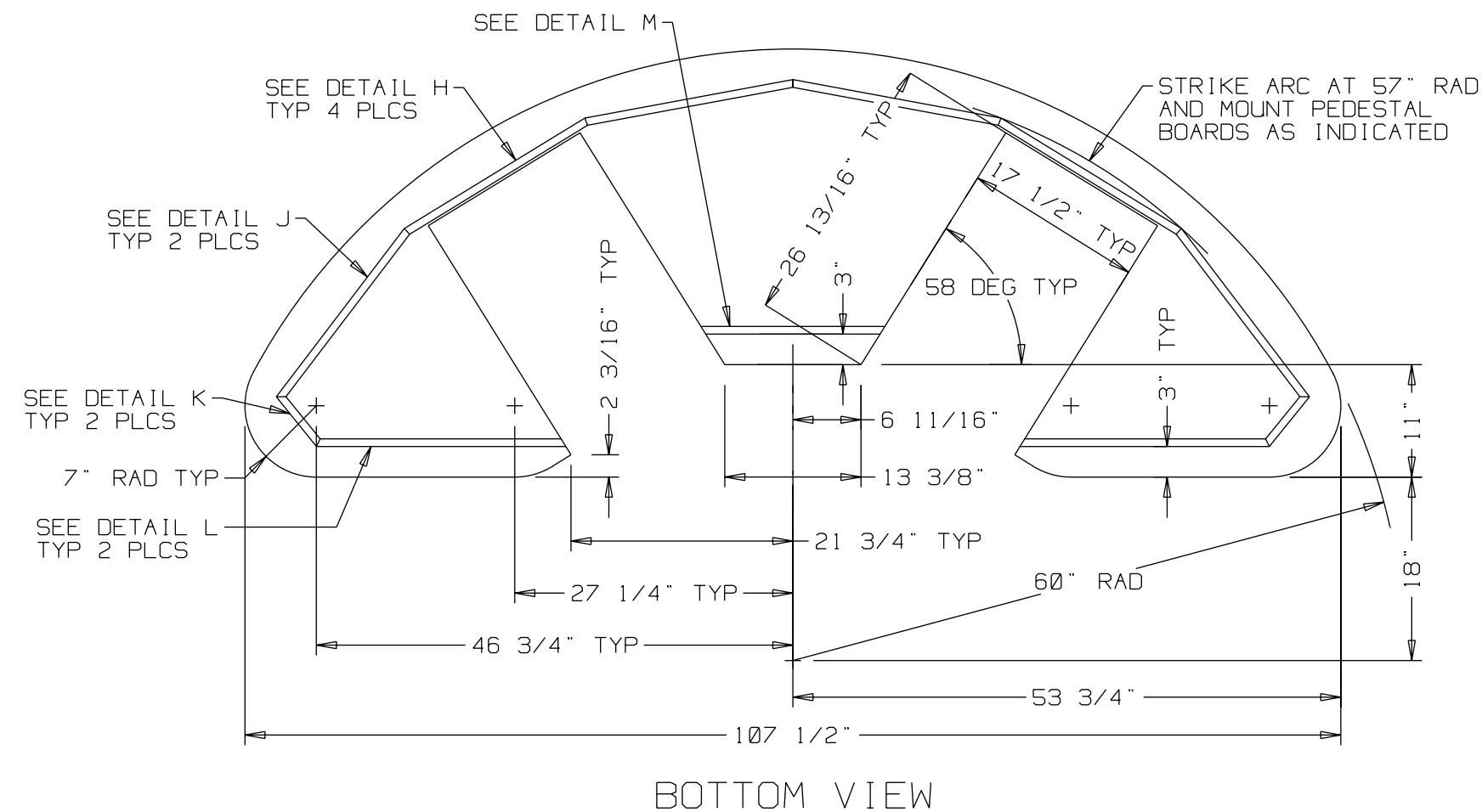
DETAIL K



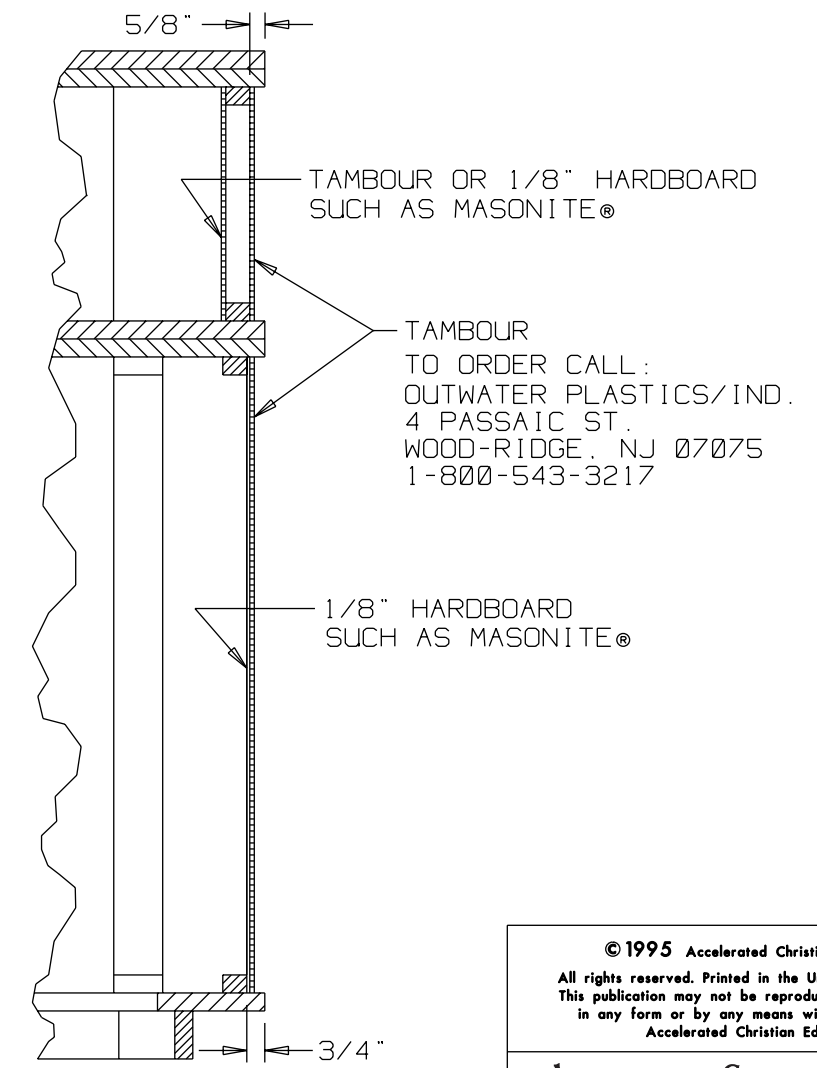
DETAIL L



DETAIL M



BOTTOM VIEW



SECTION B-B

© 1995 Accelerated Christian Education, Inc.
All rights reserved. Printed in the United States of America.
This publication may not be reproduced in whole or in part
in any form or by any means without permission from
Accelerated Christian Education, Inc.

ACCELERATED CHRISTIAN EDUCATION
SUPERVISOR'S STATION
DETAIL DRAWINGS

DWG. NO. 0006	REV. 950316-0	SHEET 4 OF 5
------------------	------------------	-----------------