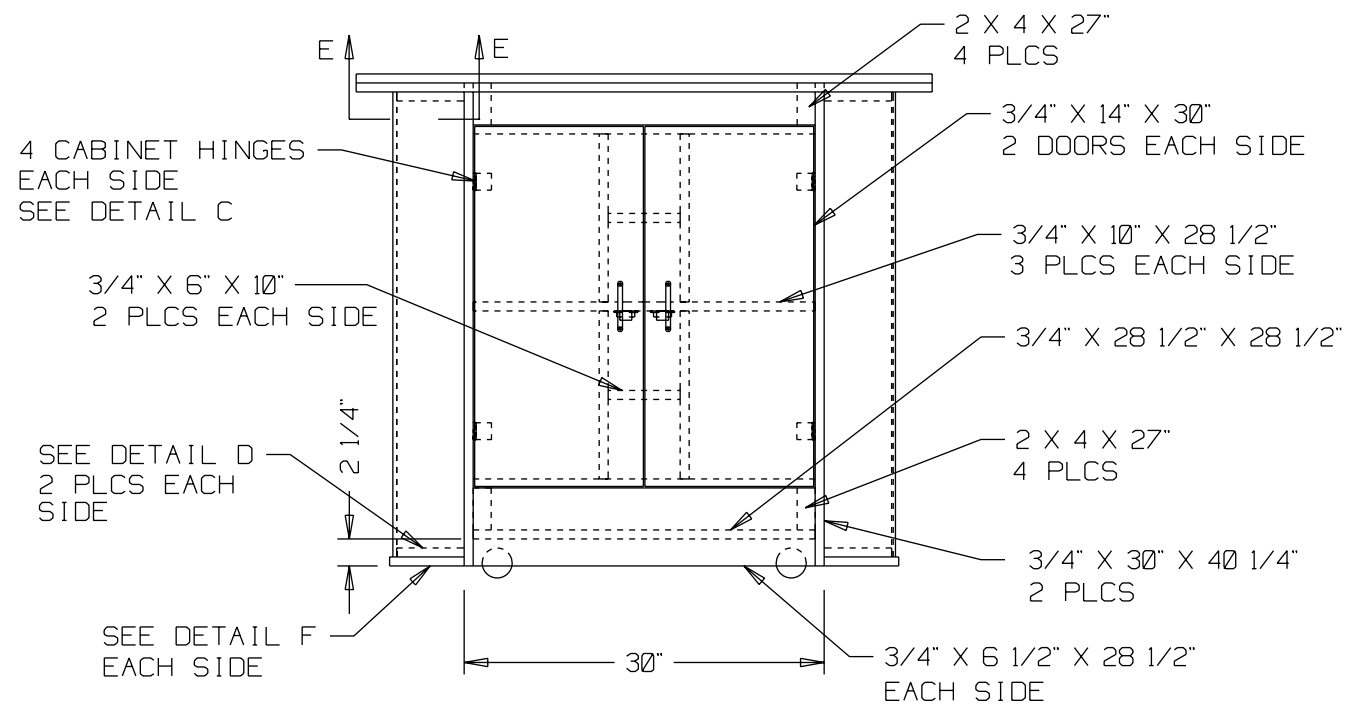


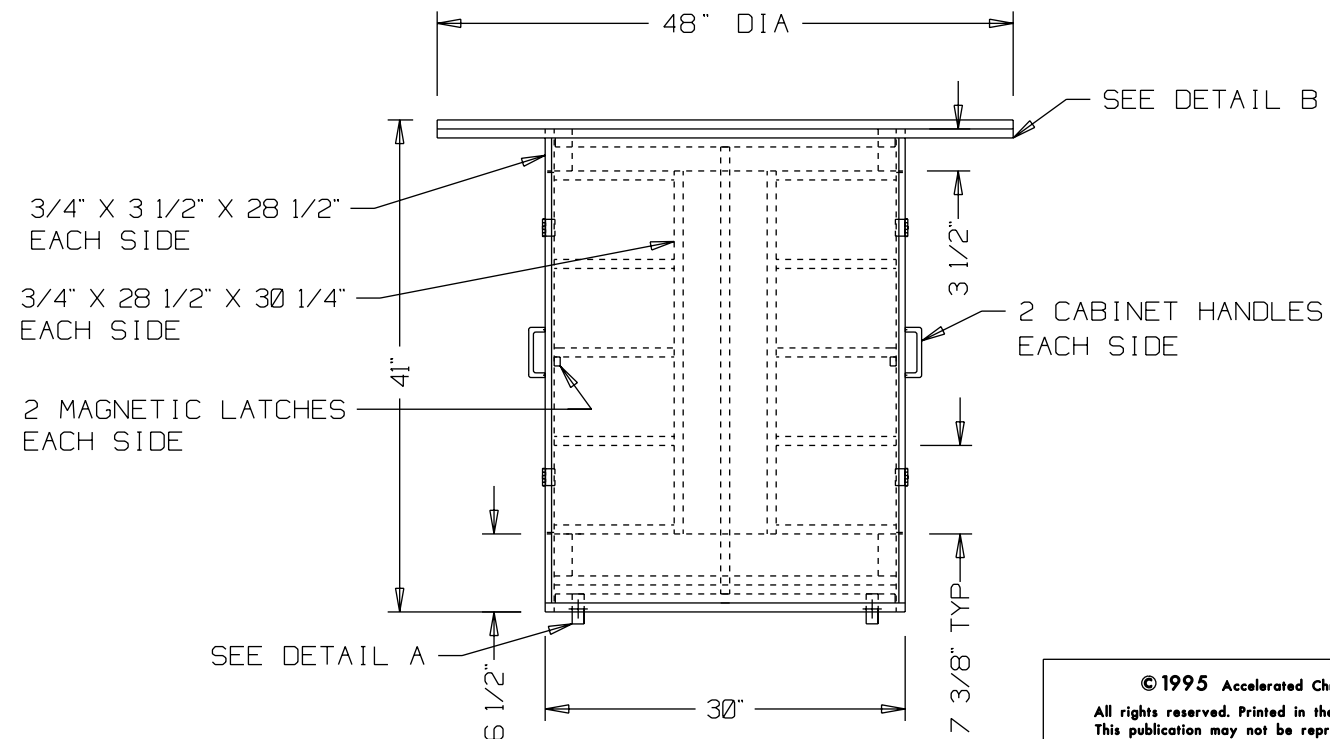
TOP VIEW

NOTES: UNLESS OTHERWISE SPECIFIED,
FASTEN ALL PARTS WITH
1 1/4" DRYWALL SCREWS

MULTIPURPOSE GLUE SUCH AS
LIQUID NAILS® MAY BE USED ON
JOINTS



FRONT VIEW



SIDE VIEW

<p>© 1995 Accelerated Christian Education, Inc. All rights reserved. Printed in the United States of America. This publication may not be reproduced in whole or in part in any form or by any means without permission from Accelerated Christian Education, Inc.</p>		
<p>ACCELERATED CHRISTIAN EDUCATION OPTIONAL SUPERVISOR'S STATION</p>		
DWG. NO. 0010	REV. 950316-0	SHEET 2 OF 3